

Electric Deadbolt



DA-64L





Specifications

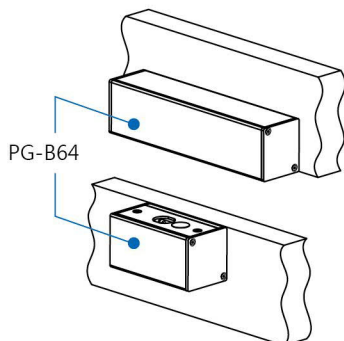
Nominal voltage	: DC11~16V
Standby current	: 110mA
Working current	: 1000mA
Temp. range:	: -20°C ~ 70°C
Power consumption	: 1.8W(Standby) / 16W(Work)

- Features**
- *Fail safe type.(Release as power off.)
 - *Drop to hold positioning by magnet.
 - *With magnetic switch door position sensor.
 - *Low working current, no over heating problem.
 - *Door Release Time: 9, 6, 3, 0 Sec.(Lock immediately)
 - *Electric drop bolt design suitable for double swing door with 180° opening angle.
 - *With power / status LED indicator.

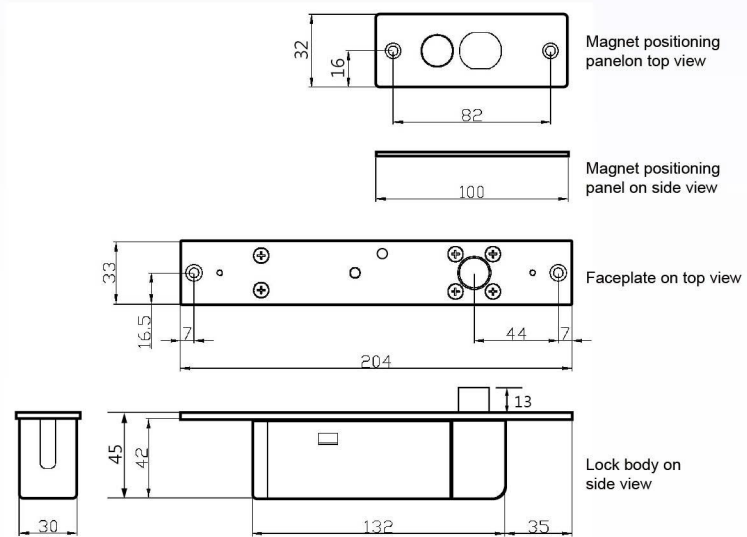
Applications : For emergency door, swing glass door, wooden door.


Accessories

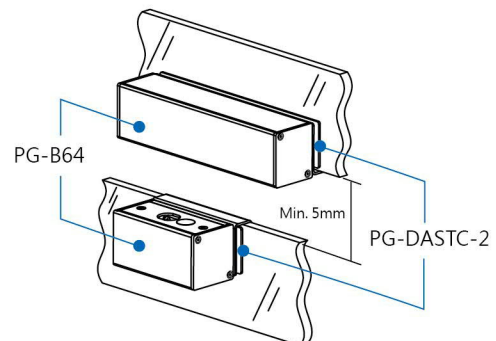
Model No.	PG-B64
Appearance	Body:external hanging bracket  Magnetic lump:external hanging bracket 
Dimension(LxWxHmm)	Body: 211 x 45 x 50 Magnetic lump: 106 x 45 x 50



Dimensions Unit: mm



Model No.	PG-DASTC-2
Appearance	Body:glass jig  Magnetic lump: glass jig 
Dimension(LxWxHmm)	Body: 210 x 22 x 50 Magnetic lump: 110 x 22 x 50 Glass thickness: Max.12mm



PONGEE INDUSTRIES CO., LTD.

5F., No.738, Chung-Cheng Rd., Chung-Ho District, New Taipei City 235603, Taiwan

Tel : 886-2-82280198

Fax : 886-2-82280191

E-mail : pongee@pongee.com.tw

Website:http://www.pongee.com

We reserve the right to change the specification without prior notice or obligation!

20250210