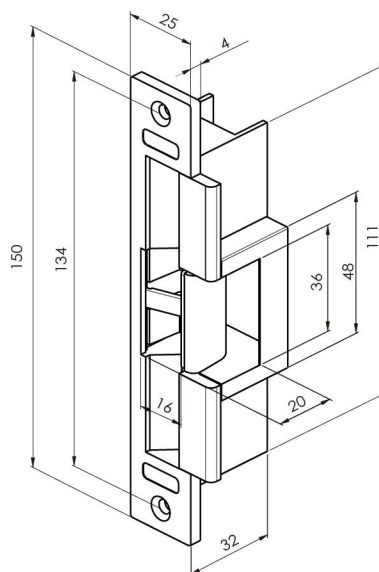




## Dimensions mm



### Specifications

Model No.	: PGS-701A / PGS-701A-24V
Lock size (mm)	: 150(L) x 25(W) x 32(H)
Approx. weight	: 420g±1%
Nominal voltage	: DC12V / DC24V(±10%)
Standby current	: 0mA
Working current	: 120mA(12V) / 60mA(24V)
Temp. range	: -20°C~70°C
Power consumption	: 1.5W
Depth of lock slot	: 15mm
Material	: Zinc alloy(Faceplate/Lock body) Stainless steel(Keeper)
Features	: *Fail secured type.(Released as energized.) *Could be continuously energized. *For heavy duty door. *With door monitoring switch.
Operation	: Pair with MK-338.
Applications	: For aluminum steel or wooden door, brass door.

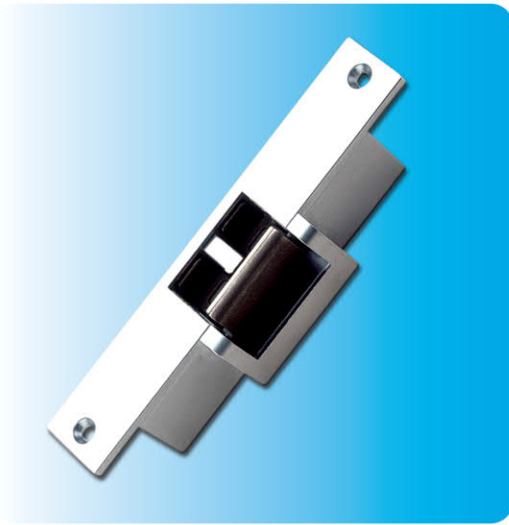
Model No.	: PGS-702A / PGS-702A-24V
Lock size (mm)	: 150(L) x 25(W) x 32(H)mm
Approx. weight	: 420g±1%
Nominal voltage	: DC12V / DC24V(±10%)
Standby current	: 120mA(12V) / 60mA(24V)
Working current	: 0mA
Temp. range	: -20°C~70°C
Power consumption	: 1.5W
Depth of lock slot	: 15mm
Material	: Zinc alloy(Faceplate/Lock body) Stainless steel(Keeper)
Features	: *Fail safe type.(Release as power off.) *Could be continuously energized. *For heavy duty door. *With door monitoring switch.
Operation	: Pair with MK-338.
Applications	: For aluminum steel or wooden door, brass door.

### Dead bolt mechanical lock

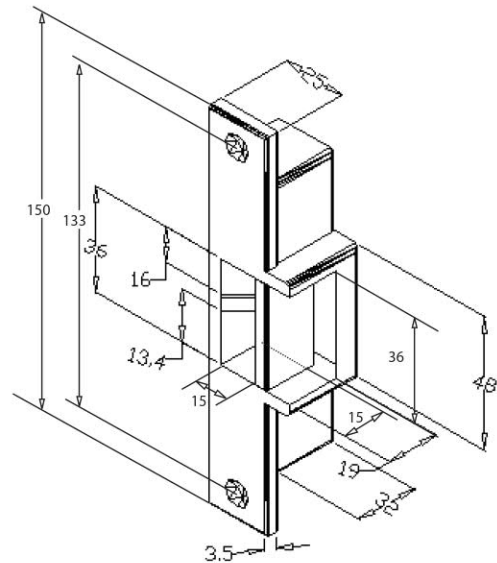


Model No.	: MK-338
Lock size (mm)	: 130(L) x 24.5(W) x 50(H)
Approx. weight	: 700g±1%
Features:	: Pair with dead bolt lock. Could be released by key or knob. (By key: MK-338-1(optional))
Applications	: For aluminum or steel door.
Door thickness	: 36~56mm





## Dimensions mm



## Specifications

Model No.	: PGS-701B / PGS-701B-24V
Lock size (mm)	: 150(L) x 25(W) x 32(H)
Approx. weight	: 420g±1%
Nominal voltage	: DC12V / DC24V(±10%)
Standby current	: 0mA
Working current	: 120mA(12V) / 60mA(24V)
Temp. range	: -20°C ~ 70°C
Power consumption	: 1.5W
Depth of lock slot	: 15mm
Material	: Zinc alloy(Faceplate/Lock body) Stainless steel(Keeper)
Features	: *Fail secured type.(Released as energized.) *Could be continuously energized. *For heavy duty door. *With door monitoring switch.
Operation	: Pair with MK-338.
Applications	: For aluminum steel or wooden door, brass door.

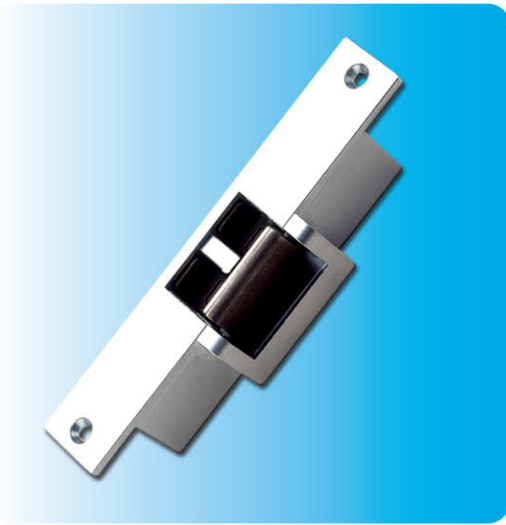
Model No.	: PGS-702B / PGS-702B-24V
Lock size (mm)	: 150(L) x 25(W) x 32(H)
Approx. weight	: 420g±1%
Nominal voltage	: DC12V / DC24V(±10%)
Standby current	: 120mA(12V) / 60mA(24V)
Working current	: 0mA
Temp. range	: -20°C ~ 70°C
Power consumption	: 1.5W
Depth of lock slot	: 15mm
Material	: Zinc alloy(Faceplate/Lock body) Stainless steel(Keeper)
Features	: *Fail safe type.(Release as power off.) *Could be continuously energized. *For heavy duty door. *With door monitoring switch.
Operation	: Pair with MK-338.
Applications	: For aluminum steel or wooden door, brass door.

## Dead bolt mechanical lock

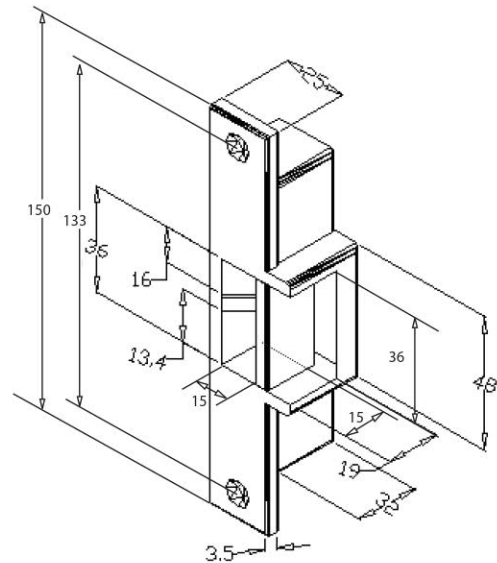


Model No.	: MK-338
Lock size (mm)	: 130(L) x 24.5(W) x 50(H)
Approx. weight	: 700g±1%
Features:	: Pair with dead bolt lock. Could be released by key or knob. (By key: MK-338-1(optional))
Applications	: For aluminum or steel door.
Door thickness	: 36~56mm





## Dimensions mm



## Specifications

Model No.	: PGS-703 / PGS-703-24V	Model No.	: PGS-704 / PGS-704-24V
Lock size (mm)	: 150(L) x 25(W) x 32(H)	Lock size (mm)	: 150(L) x 25(W) x 32(H)
Approx. weight	: 420g±1%	Approx. weight	: 420g±1%
Nominal voltage	: DC12V / DC24V(±10%)	Nominal voltage	: DC12V / DC24V(±10%)
Standby current	: 0mA	Standby current	: 120mA(12V) / 60mA(24V)
Working current	: 120mA(12V) / 60mA(24V)	Working current	: 0mA
Temp. range	: -20°C ~ 70°C	Temp. range	: -20°C ~ 70°C
Power consumption	: 1.5W	Power consumption	: 1.5W
Depth of lock slot	: 15mm	Depth of lock slot	: 15mm
Material	: Zinc alloy(Faceplate/Lock body) Stainless steel(Keeper)	Material	: Zinc alloy(Faceplate/Lock body) Stainless steel(Keeper)
Features	: *Fail secured type.(Released as energized.) *Could be continuously energized. *For heavy duty door. *With door monitoring switch.	Features	: *Fail safe type.(Release as power off.) *Could be continuously energized. *For heavy duty door. *With door monitoring switch.
Operation	: Pair with MK-738.	Operation:	: Pair with MK-738.
Applications	: For aluminum steel or wooden door, brass door.	Applications:	: For aluminum steel or wooden door, brass door.

## Latch bolt mechanical lock



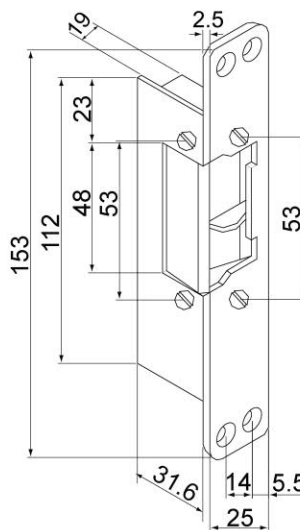
Model No.	: MK-738
Lock size (mm)	: 130(L) x 24.5(W x 50(H)
Approx. weight	: 690g±1%
Features	: Pair with latch bolt lock. Could be released by key or knob. (By key: MK-738-1(optional)
Applications	: For aluminum or steel door.
Door thickness	: 36~56mm



# Electric Strike

PGS-705FS	Fail safe	DC12V DC24V	Door Monitoring
PGS-705NS	Fail secured	DC12V DC24V	Door Monitoring

Dimensions mm

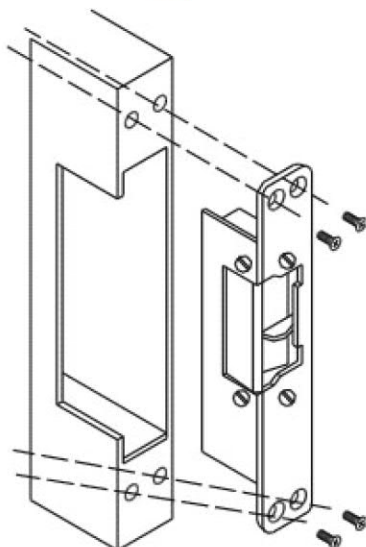


## Specifications

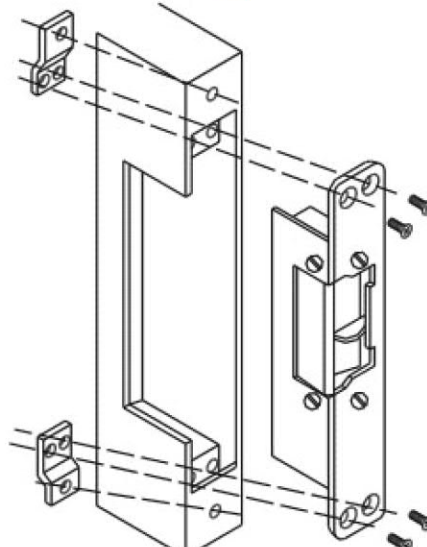
Model No.	: PGS-705FS PGS-705FS/SW, PGS-705FS/SW-24V
Lock size (mm)	: 153(L) x 25(W) x 30(H)
Approx. weight	: 310g±1%
Nominal voltage	: DC12V / 24V(±10%)
Standby current	: 200mA(12V) / 100mA(24V)
Working current	: 0mA
Temp. range	: -20°C~70°C
Power consumption	: 2.4W
Depth of lock slot	: 8mm
Material	: Zinc alloy(Lock body/ Keeper) Stainless steel(Faceplate)
Features	: *Fail safe type.(Release as power off.) *Could be continuously energized. *For heavy duty door. *Without decoration cover. *With door monitoring switch. (PGS-705FS/SW, PGS-705FS/SW-24V)
Operation:	: Pair with latch bolt mechanical lock.
Applications:	: For aluminum or wooden door

Model No.:	: PGS-705NS PGS-705NS/SWA, PGS-705NS/SWA-24V
Lock size (mm)	: 153(L) x 25(W) x 30(H)
Approx. weight	: 310g±1%
Nominal voltage	: DC12V / 24V(±10%)
Standby current	: 0mA
Working current	: 200mA(12V) / 100mA(24V)
Temp. range	: -20°C~70°C
Power consumption	: 2.4W
Depth of lock slot	: 8mm
Material	: Zinc alloy(Lock body/ Keeper) Stainless steel(Faceplate)
Features	: *Fail secured type.(Released as energized.) *Could be continuously energized. *For heavy duty door. *Without decoration cover. *With door monitoring switch. (PGS-705NS/SWA, PGS-705NS/SWA-24V)
Operation:	: Pair with latch bolt mechanical lock.
Applications:	: For aluminum or wooden door

## Installation for Wooden Door



## Installation for Metallic Door



# Electric Strike

PGS-706FS

Fail safe

DC12V

PGS-706NS

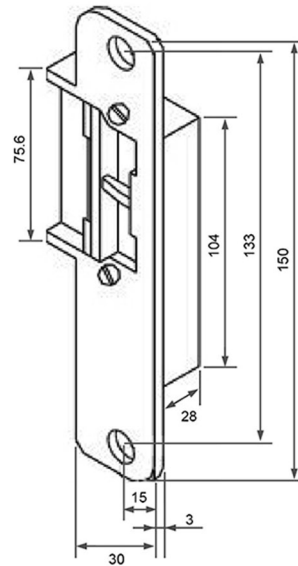
Fail secured

DC12V  
DC24V

Door Monitoring



## Dimensions mm

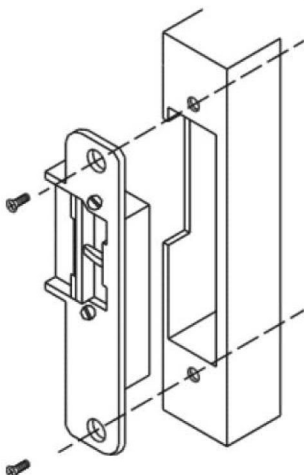


## Specifications

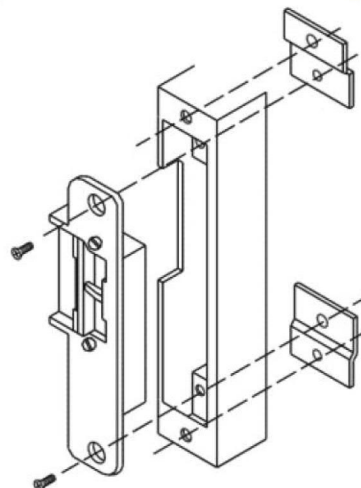
Model No.	: PGS-706FS
Lock size (mm)	: 150(L) x 30(W) x 30(H)
Approx. weight	: 360g±1%
Nominal voltage	: DC12V(±10%)
Standby current	: 200mA
Working current	: 0mA
Temp. range	: -20°C~70°C
Power consumption	: 2.4W
Depth of lock slot	: 8mm
Material	: Zinc alloy(Faceplate/Lock body/Keeper)
Features	: *Fail safe type.(Release as power off.) *Could be continuously energized. *For light duty door. *With decoration cover.
Operation	: Pair with latch bolt mechanical lock.
Applications	: For aluminum or wooden door

Model No.	: PGS-706NS PGS-706NS/SW, PGS-706NS/SW-24V
Lock size (mm)	: 150(L) x 30(W) x 30(H)
Approx. weight	: 360g±1%
Nominal voltage	: DC12V / DC24V(±10%)
Standby current	: 0mA
Working current	: 200mA(12V) / 100mA(24V)
Temp. range	: -20°C~70°C
Power consumption	: 2.4W
Depth of lock slot	: 8mm
Material	: Zinc alloy(Faceplate/Lock body/Keeper)
Features	: *Fail secured type.(Released as energized.) *Could be continuously energized. *For light duty door. *With decoration cover. *With door monitoring switch. (PGS-706NS/SW, PGS-706NS/SW-24V)
Operation:	: Pair with latch bolt mechanical lock.
Applications:	: For aluminum or wooden door

## Installation for Wooden Door



## Installation for Metallic Door

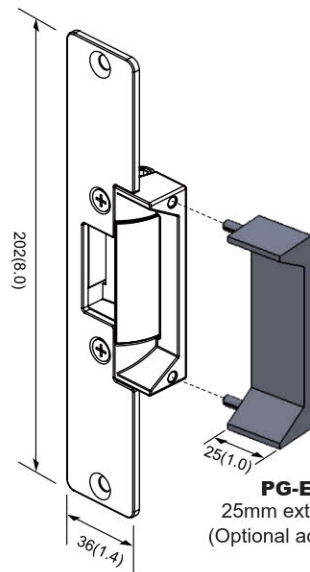
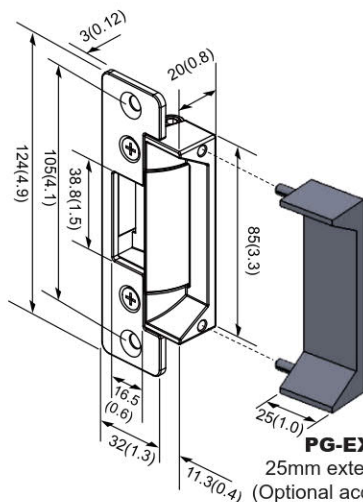


# ANSI standard Fail-Safe / Secure Adjustable Electric Strike

With Patent  
Fail-Safe / Secure  
DC12V  
DC24V



## Dimensions mm[inch]



**PG-EX25**  
25mm extension lip  
(Optional accessories)

**PG-EX25**  
25mm extension lip  
(Optional accessories)

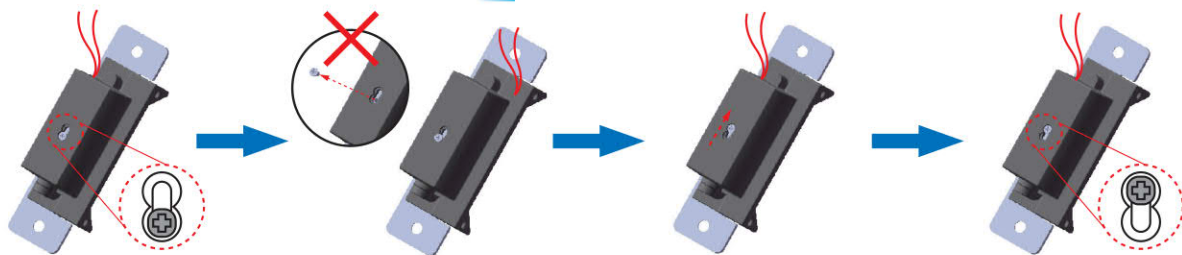
## Specifications

Model No.	: PGS-501 PGS-501-24V	PGS-501L PGS-501L-24V
Lock size (mm)	: 124(L)x32(W)x32(H)	202(L)x36(W)x32(H)
Approx. weight	: 165g±1%	280g±1%
Nominal voltage	: DC 12V / DC 24V(±10%)	
Standby current	: 230mA(12V) / 115mA(24V)	
Working current	: 0mA	
Temp. range	: -20°C~70°C	
Power consumption	: 2.76W	
Depth of lock slot	: 15mm	
Material	: Front plate: Aluminum / Stainless steel Lock body: Zinc alloy Latches: Stainless steel	
Features	: *Fail-Safe / Secure Adjustable *Could be continuously energized. *For light duty door. *Endurance:1,000,000 cycles	
Operation	: Pair with latch bolt mechanical lock.(MK-738)	
Applications	: For aluminum steel or wooden door, brass door.	

※ MOQ:200 pcs

Model No.	Appearance	Dimensions	Material
PG-FP150		150 x 28.6mm	Stainless steel
PG-FP182		182 x 32mm	Stainless steel
PG-FP202		201.6 x 32 x 16mm	Aluminum
PG-FP209		209 x 31.7mm	Stainless steel
PG-FP251		251 x 25mm	Stainless steel

## How to change operation mode of electric strike



Power to open (Fail-Secure)  
Default Value

Loosen the screw if you want to  
change to another operation mode.  
(Please don't pick up the screw)

Push forward the screw, then lock it.

Power to close. (Fail-Safe)

## Ordering information

Model No.	Depiction
PGS-501	PGS-501SW Front plate: 124x32mm, aluminum, 12V
PGS-501L	PGS-501LSW Front plate: 202x36mm, aluminum, 12V
PGS-501S	PGS-501SSW Front plate: 124x32mm, stainless steel, 12V
PGS-501SL	PGS-501SLSW Front plate: 202x36mm, stainless steel, 12V
PGS-501-24V	PGS-501SW-24V Front plate: 124x32mm, aluminum, 24V
PGS-501L-24V	PGS-501LSW-24V Front plate: 202x36mm, aluminum, 24V
PGS-501S-24V	PGS-501SSW-24V Front plate: 124x32mm, stainless steel, 24V
PGS-501SL-24V	PGS-501SLSW-24V Front plate: 202x36mm, stainless steel, 24V

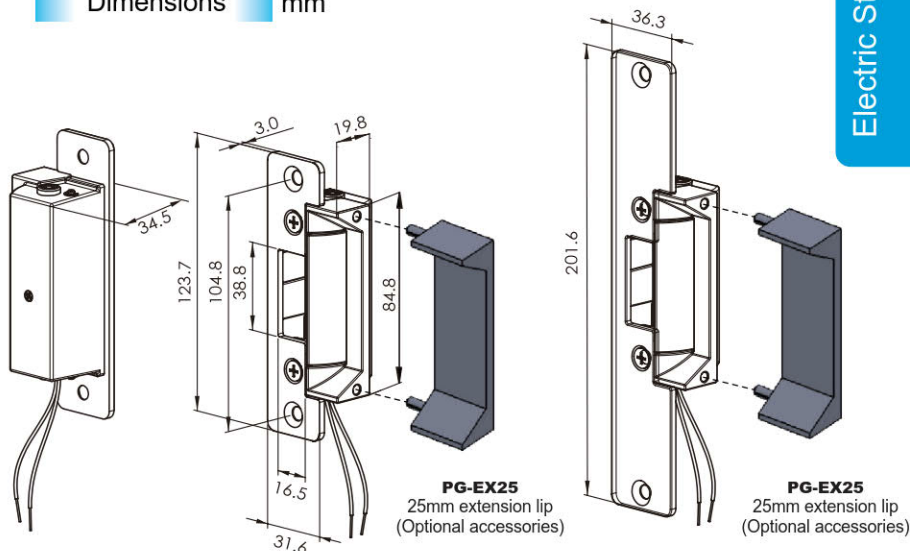
# ANSI standard Fail-Safe / Secure Adjustable Electric Strike

Electric Strike

Fail-Safe / Secure DC 12-24V



## Dimensions mm



## Specifications

Model No.	PGS-502NS	PGS-502NSL
Lock size (mm)	124(L)x32(W)x32(H)	202(L)x36(W)x32(H)
Approx. weight	205g±1%	320g±1%
Nominal voltage	DC 12V	
Standby current	0mA	
Working current	400mA	
Temp. range	-20°C~70°C	
Power consumption	4.8W	
Depth of lock slot	15mm	
Material	Front plate: Aluminum / Stainless steel Lock body: Zinc alloy Latches: Stainless steel	

## Features

### \*Fail-Secure

\*Could be continuously energized.

\*For heavy duty door.

\*Endurance:1,000,000 cycles

## Operation

Pair with latch bolt mechanical lock.(MK-738)

## Applications

For aluminum steel or wooden door, brass door.

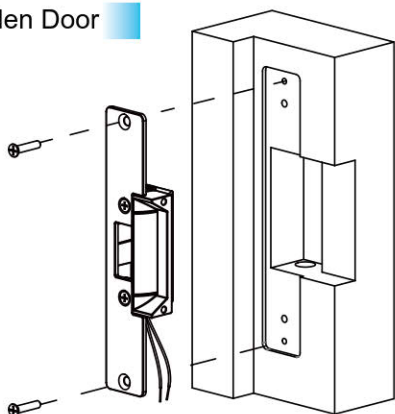
※ MOQ:200 pcs

Model No.	Appearance	Dimensions	Material
PG-FP150		150 x 28.6mm	Stainless steel
PG-FP182		182 x 32mm	Stainless steel
PG-FP202		201.6 x 32 x 16mm	Aluminum
PG-FP209		209 x 31.7mm	Stainless steel
PG-FP251		251 x 25mm	Stainless steel

## Ordering information

Model No.	Depiction
PGS-502NS	ANSI Standard electric strike, front plate: 123.7x31.6mm, aluminum, DC12V
PGS-502NSL	ANSI Standard electric strike, front plate: 201.6x36.3mm, aluminum, DC12V
PGS-502NSS	ANSI Standard electric strike, front plate: 123.7x31.6mm, stainless steel, DC12V
PGS-502NSSL	ANSI Standard electric strike, front plate: 201.6x36.3mm, stainless steel, DC12V

## Installation for Wooden Door



## Installation for Metallic Door

