

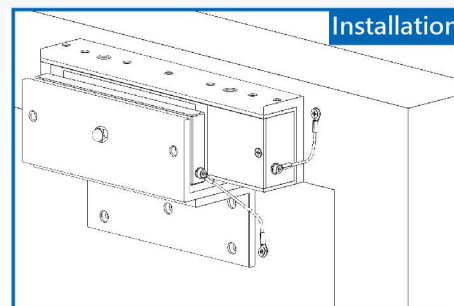
# 600Lbs, 270Kgs Electromagnetic Lock



This maglock strap is designed to give the fitter peace of mind that - should their heavy maglock become dislodged - it will not fall and hurt passers-by or damage the equipment.



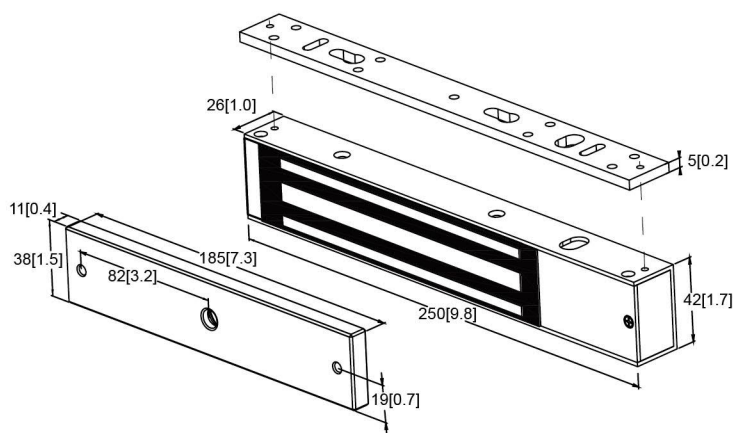
PML-1101K



## Specifications

Fixed holes	:	Side
Magnet size	:	250(L) x 47(W) x 26(H)mm
Armature size	:	185(L) x 38(W) x 11(H)mm
Holding force	:	600Lbs/270Kgs
Voltage(DC)/Current	:	12V/500mA / 24V/250mA
Door monitoring	:	YES
Timer (LED)	:	YES
Relay dry contact rating	:	500mA 24VDC/AC
Waterproof	:	NO
Material	:	Armature plate(Steel) Lock body(Aluminum alloy)
Unit weight (Approx.)	:	2kgs±1%

## Dimensions mm[inch]



## Accessories

	L type fixed bracket	L & Z fixed bracket	U type bracket	Armature Housing
Model No.	PG-BLO110A	PG-BLZ110A	PG-BUO110	PK-EM250
Appearance				
Dimensions (LxWxH)mm	250 x 33 x 51	190 x 50(W1) x 50(W2) x 50	190 x 30 x 45	190 x 16 x 44
Applications	For aluminum steel or wooden door, brass door, glass door with frame		Glass door without frame Glass thickness: Max.13mm	All kind of door types

## PONGEE INDUSTRIES CO., LTD.

5F., No.738, Chung-Cheng Rd., Chung-Ho District, New Taipei City 235603 Taiwan

Tel : 886-2-82280198

Fax : 886-2-82280191

E-mail : pongee@pongee.com.tw

Website: <http://www.pongee.com>

We reserve the right to change the specification without prior notice or obligation!



20240918