

# 1200LBS, 540KGS Electromagnetic Lock

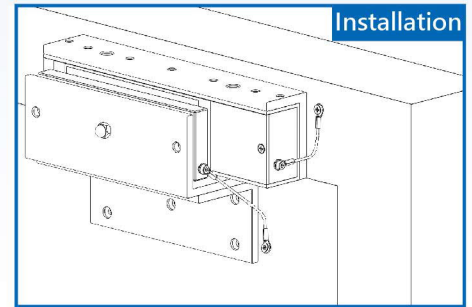


Pegasus

This maglock strap is designed to give the fitter peace of mind that - should their heavy maglock become dislodged - it will not fall and hurt passers-by or damage the equipment.



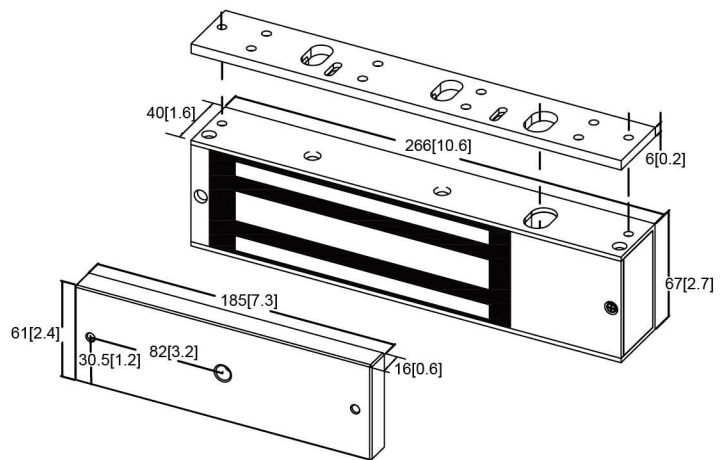
PML-2101K



## Specifications

Fixed holes	:	Side
Magnet size	:	266(L) x 73(W) x 40(H)mm
Armature size	:	185(L) x 61(W) x 16(H)mm
Holding force	:	1200Lbs/540Kgs
Voltage(DC)/Current	:	12V/500mA / 24V/250mA
Door monitoring	:	YES
Timer (LED)	:	YES
Relay dry contact rating	:	500mA 24VDC/AC
Waterproof	:	NO
Material	:	Armature plate(Steel) Lock body(Aluminum alloy)
Unit weight (Approx.)	:	5kgs±1%

## Dimensions mm[inch]



## Accessories

### L type fixed bracket

### L & Z fixed bracket

### Armature Housing

Model No.	PG-BLO210A	PG-BLZ210A	PK-EM500
Appearance			
Dimensions (LxWxH)mm	266 x 48 x 75	190 x 72(W1) x 72(W2) x 72	190 x 21 x 68
Applications	For aluminum steel or wooden door, brass door, glass door with frame		All kind of door types

## PONGEE INDUSTRIES CO., LTD.

5F., No.738, Chung-Cheng Rd., Chung-Ho District, New Taipei City 235603 Taiwan

Tel : 886-2-82280198

Fax : 886-2-82280191

E-mail : pongee@pongee.com.tw

Website: http://www.pongee.com

We reserve the right to change the specification without prior notice or obligation!



20240918