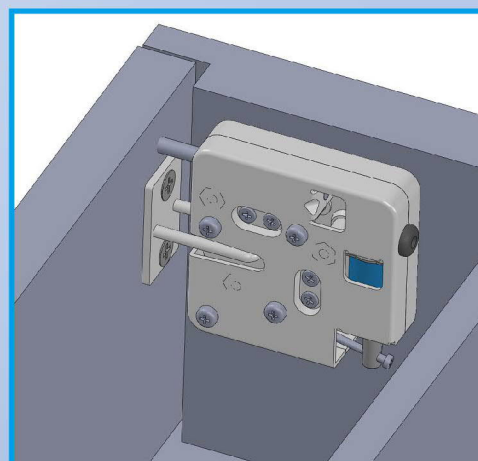
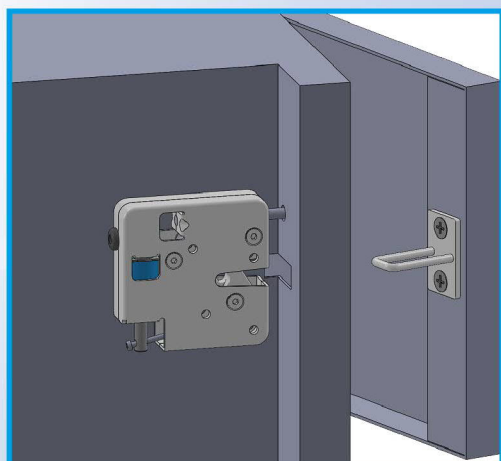
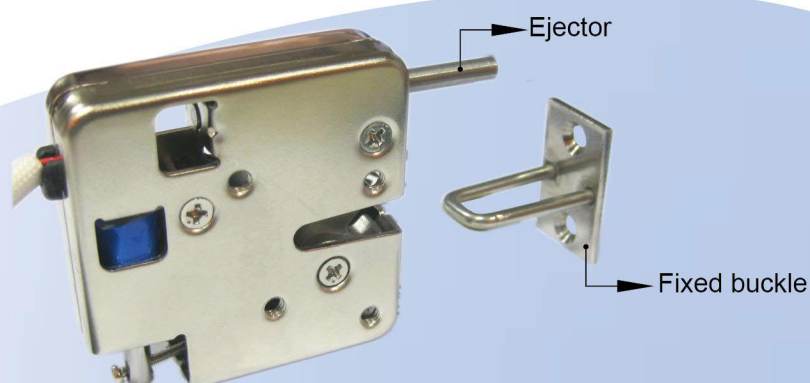


Electronic Rotary Latch

PCL-55 / 56



Product Description

- Compact size for simple installation.
- For drawers, cabinet, mailboxes, boxes and similar devices used.
- With lock sensor.

Specifications

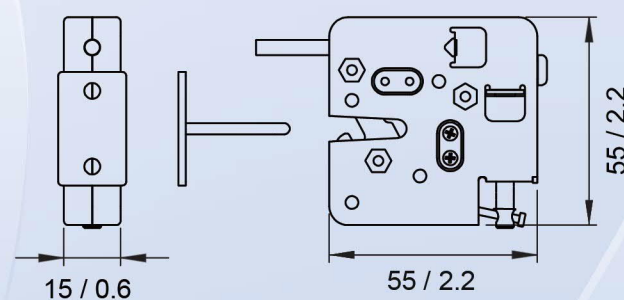
- Dimensions: 55(L) x 55(W) x 15(H) mm
2.2(L) x 2.2(W) x 0.6(H) inch
- Voltage / Current: DC 12V / 1.95~2.3A
- Unlock time: <1 second
- Material: Metal

Ordering information

PCL-55 : Electronic Cabinet Lock with Ejector (improve door open force as 2kg)

PCL-56 : Electronic Cabinet Lock (door open force as 0.7kg)

Dimensions: Unit(mm/inch)



PONGEE INDUSTRIES CO., LTD.

5F., No.738, Chung-Cheng Rd., Chung-Ho District, New Taipei City 235603, Taiwan

Tel : 886-2-82280198

Fax : 886-2-82280191

E-mail : pongee@pongee.com.tw

Website: <http://www.pongee.com>

We reserve the right to change the specification without prior notice or obligation!

