

Mini RFID Card Reader

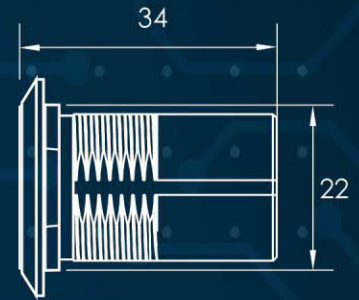


Keyhole size installation!

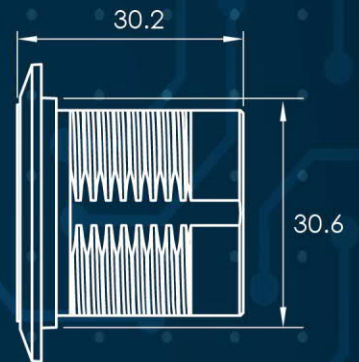
pegasus



PP-22M0WT



PP-30



Unit: mm

Specification

Model No.	PP-22M0WT	PP-30 Series	
RFID Frequency	13.56MHz	125KHz	13.56MHz
LED	With bi-color power and status LED indication	With bi-color power and status LED indication	
Buzzer	Open collect output	Built-in	
Applicable Cards	Mifare S50, Mifare Ultralight , Mifare DESFire, NFC Tag	EM4100, EM4102, EM4200, TK4100, T5567	Mifare S50, Mifare Ultralight Mifare DESFire, NFC Tag
Reading Range	Card(0.8mm): Max.3cm Tag: Max.2cm	Card(1.8mm): Max.7cm Card(0.8mm): Max.6cm Tag: Max.2cm	Card(0.8mm): Max.3cm Tag: Max.2cm
Output format/Interface	Wiegand 26~58bits & TTL	Wiegand 26/34/40bits, ABA, TTL	Wiegand 26/34bits, TTL
Power Input	DC7V-28V	DC9V-12V	
Weatherproof/dustproof	IP68	IP54	



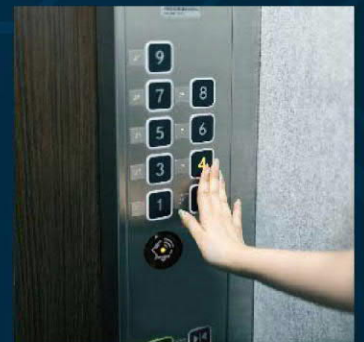
Access Control System



Mailbox Management System



Intercom System



Lift Access Control System

Mifare is a registered trademark of NXP B.V.
Mifare DESFire is a registered trademark of NXP B.V.

PONGEE INDUSTRIES CO., LTD.

5F., No.738, Chung-Cheng Rd., Chung-Ho District, New Taipei City 235603, Taiwan

Tel : 886-2-82280198

Fax : 886-2-82280191

E-mail : pongee@pongee.com.tw

Website: http://www.pongee.com

We reserve the right to change the specification without prior notice or obligation!



20250121